

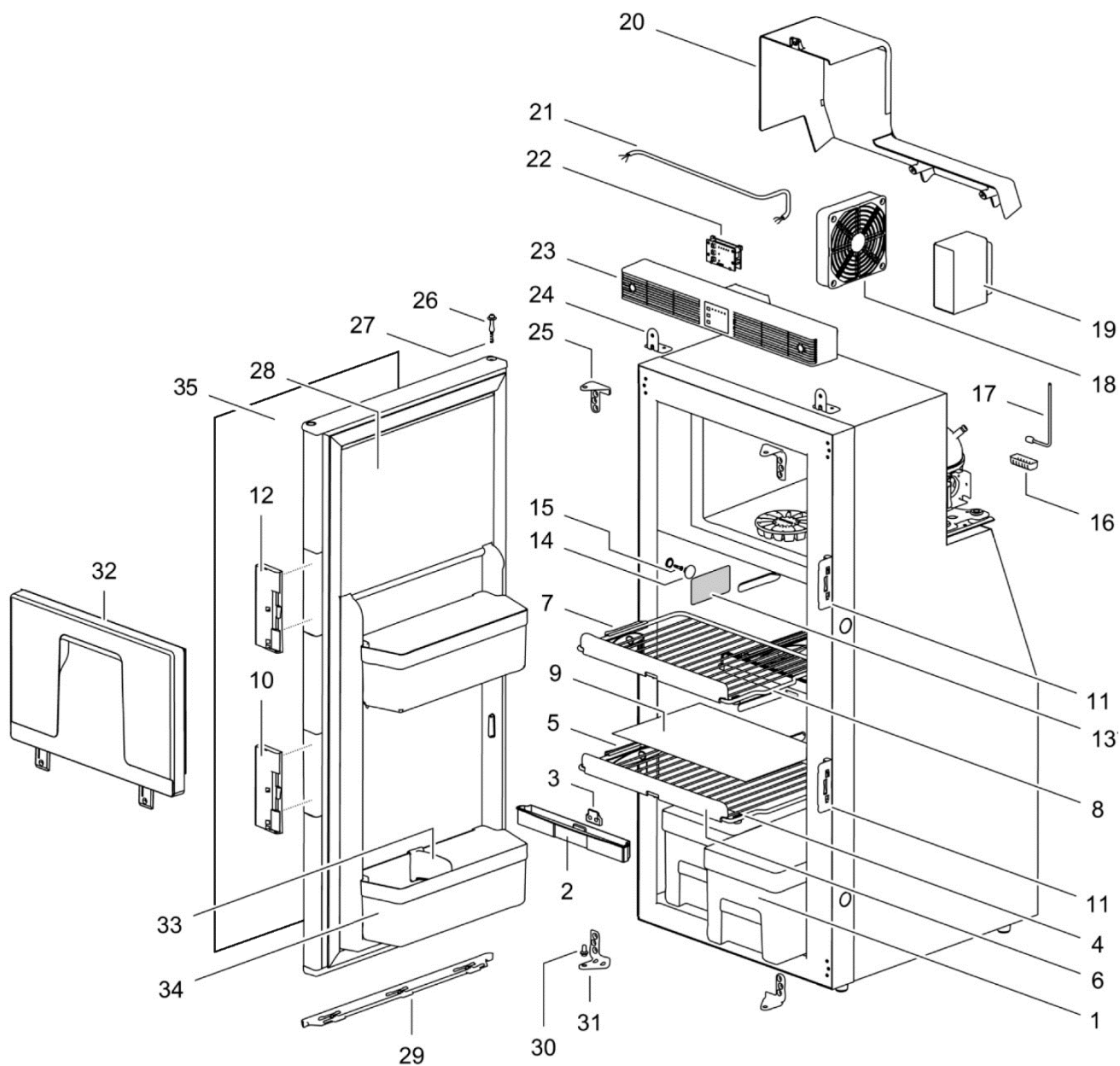
9\*



|    |                                    | Spare part number                              | Spare part number | Spare part number | Colours available |
|----|------------------------------------|--|-------------------|-------------------|-------------------|
| 1  | Vegetable bin (2x)                 | 691220   |                   |                   |                   |
| 2  | Shelf large                        |  | 691585            |                   |                   |
| 3  | Clip shelf large                   |  |                   |                   |                   |
| 4  | Shelf food retainer                |  |                   | 691584            |                   |
| 5  | Shelf small                        |  |                   |                   |                   |
| 6  | Clip shelf small                   |  |                   |                   |                   |
| 7  | Door lock plate                    |  | 691580            |                   |                   |
| 8  | Door handle                        |  |                   |                   |                   |
| 9  | Identification label*              | T1090 MK1 begins with item number N181AXXXXXXX |                   |                   |                   |
| 10 | Thermistor cover                   |  | 691390            |                   |                   |
| 11 | Thermistor                         |  |                   |                   |                   |
| 12 | Condensor fan                      | 691392   |                   |                   |                   |
| 13 | Control module                     | 691391   |                   |                   |                   |
| 14 | Air duct                           | <del>691331</del>                              |                   |                   |                   |
| 15 | Power cord                         | 691345   |                   |                   |                   |
| 16 | Control PCB                        |  | 691746            |                   |                   |
| 17 | Control housing                    |  |                   |                   |                   |
| 18 | Control housing bracket (2x)       | 691591   |                   |                   |                   |
| 19 | Hinge plate upper                  |  | 691587            |                   |                   |
| 20 | Hinge pin upper                    |  |                   |                   |                   |
| 21 | Hinge spring                       |  |                   |                   |                   |
| 22 | Hinge pin bottom                   |  |                   |                   |                   |
| 23 | Hinge plate bottom                 |  |                   |                   |                   |
| 24 | Cabinet door                       |  |                   |                   |                   |
| 25 | Panel retainer lower               |  |                   |                   |                   |
| 26 | Drainage pan snap (2x)             |  | 691583            |                   |                   |
| 27 | Drainage pan                       |  |                   |                   |                   |
| 28 | Drainage pan plug/connecting strap |  |                   |                   |                   |
| 29 | Screw (4x)                         |  | 691590            |                   |                   |
| 30 | Cap (4x)                           |  |                   |                   |                   |
| 31 | Freezer door                       |  | 691588            |                   |                   |
| 32 | Magnet freezer door                |  |                   |                   |                   |
| 33 | Bottle retainer                    |  | 691593            |                   |                   |
| 34 | Door bin 2x                        |  |                   |                   |                   |
| 35 | Plate                              | 691592   |                   |                   |                   |
| 36 | Decopanel 882x395x1.2mm            | 69163627SP                                     |                   |                   |                   |

\* With a request for information or service, always provide the serial number of the refrigerator. The serial number is the code below the barcode on the identification label.

XXXXXX = no longer available



13\*

**THE FORD**

Serial ID



Item Number

Item Description

 10R-05 3413
 

|            |               |             |           |
|------------|---------------|-------------|-----------|
| Model Name | Serial Number | Part Number | Part Name |
| Model Name | Serial Number | Part Number | Part Name |
| Model Name | Serial Number | Part Number | Part Name |
| Model Name | Serial Number | Part Number | Part Name |
| Model Name | Serial Number | Part Number | Part Name |

SPECIMEN

LE1257\_T1090\_FRONT

|    |                              | Spare part number                              | Spare part number             | Spare part number            | Colours available |  |
|----|------------------------------|--|-------------------------------|------------------------------|-------------------|--|
| 1  | Vegetable bin (2x)           | 691220   |                               |                              |                   |  |
| 2  | Drip tray                    |  | 691740                        |                              |                   |  |
| 3  | Bracket                      |  |                               |                              |                   |  |
| 4  | Shelf large                  |  | 691585                        |                              |                   |  |
| 5  | Clip shelf large             |  |                               |                              |                   |  |
| 6  | Shelf food retainer          |  |                               | 691584                       |                   |  |
| 7  | Shelf small                  |  |                               |                              |                   |  |
| 8  | Clip shelf small             |  |                               |                              |                   |  |
| 9  | Plate                        | 691592   |                               |                              |                   |  |
| 10 | Door handle lower            |  | 691580                        |                              |                   |  |
| 11 | Door lock plate              |  |                               | 691580                       |                   |  |
| 12 | Door handle upper            |  |                               |                              |                   |  |
| 13 | Identification label*        | T1090 MK2 begins with item number N191AXXXXXXX |                               |                              |                   |  |
| 14 | Cap (4x)                     |  | 691590                        |                              |                   |  |
| 15 | Screw (4x)                   |  |                               |                              |                   |  |
| 16 | Thermistor cover             |  | 691390                        |                              |                   |  |
| 17 | Thermistor                   |  |                               |                              |                   |  |
| 18 | Condenser fan                | 691392   |                               |                              |                   |  |
| 19 | Control module               | 691391   |                               |                              |                   |  |
| 20 | Air duct                     | <del>691331</del>                              |                               |                              |                   |  |
| 21 | Power cord                   | 691345   |                               |                              |                   |  |
| 22 | Control PCB                  |  | 691742                        |                              |                   |  |
| 23 | Control housing              |  |                               |                              |                   |  |
| 24 | Control housing bracket (2x) | 691591   |                               |                              |                   |  |
| 25 | Hinge plate upper            |  | Handle high<br>(12)<br>691743 | Handle low<br>(10)<br>691744 |                   |  |
| 26 | Hinge pin upper              |  |                               |                              |                   |  |
| 27 | Hinge spring                 |  |                               |                              |                   |  |
| 28 | Cabinet door                 |  |                               |                              |                   |  |
| 29 | Panel retainer lower         |  |                               |                              |                   |  |
| 30 | Hinge pin bottom             |  |                               |                              |                   |  |
| 31 | Hinge plate bottom           |  |                               |                              |                   |  |
| 32 | Freezer door                 |  | 691741                        |                              |                   |  |
| 33 | Bottle retainer              |  | 691593                        |                              |                   |  |
| 34 | Door bin 2x                  |  |                               |                              |                   |  |
| 35 | Decopanel 882x395x1.2mm      | 69163627SP                                     |                               |                              |                   |  |

\* With a request for information or service, always provide the serial number of the refrigerator. The serial number is the code below the barcode on the identification label.

~~xxxxxx~~ = no longer available