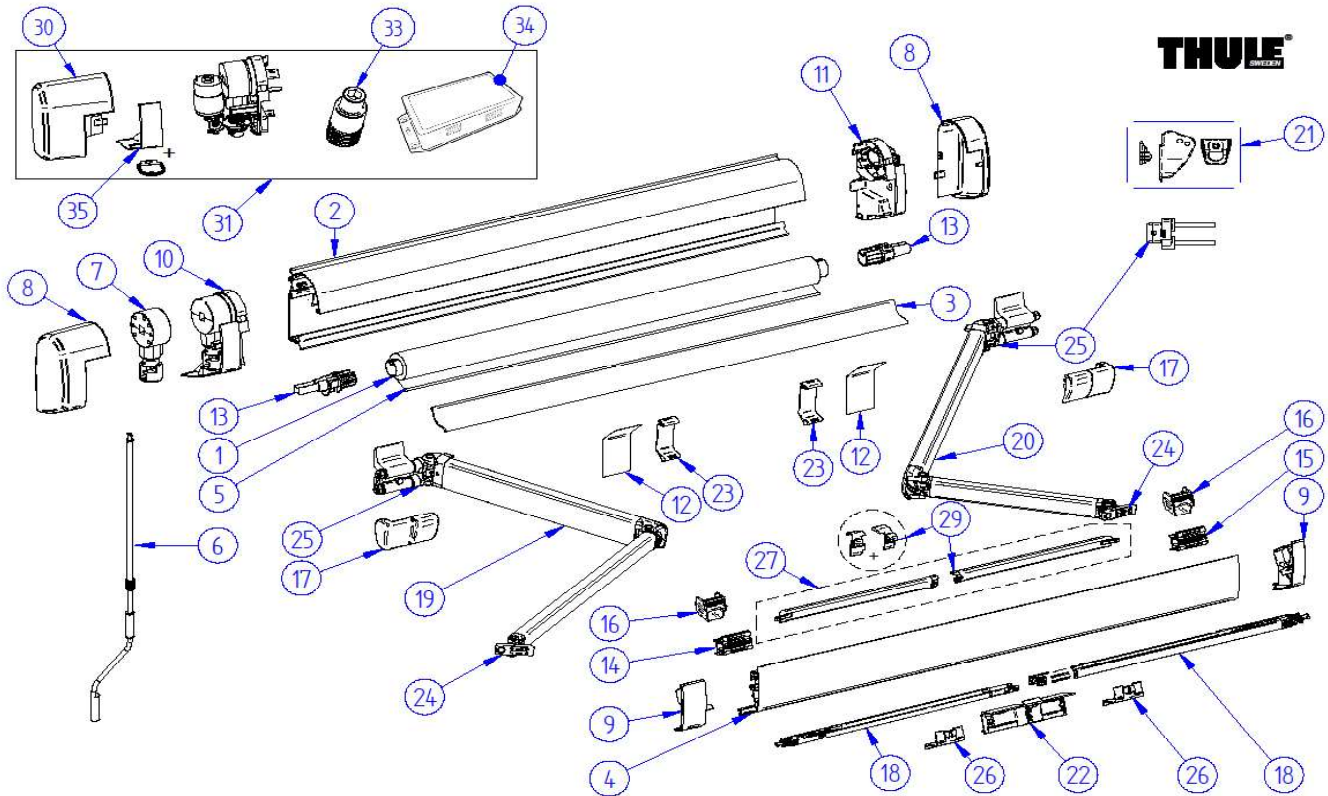


# 2020 SPARE PARTS LIST

## 5200

**THULE**  
SWEDEN

5AT601



THULE Omnistor 5200

5AT601-03

|   | ART.NR.    | DESCRIPTION                         | RETAIL € (ex. VAT) |
|---|------------|-------------------------------------|--------------------|
| 1 | 1500602989 | ROLLER TUBE D=30X0.8MM / 5200-1.90M | 42,70              |
|   | 1500602990 | ROLLER TUBE D=30X0.8MM / 5200-2,30M | 44,90              |
|   | 1500602658 | ROLLER TUBE D=30X0.8MM / 5200-2,60M | 48,60              |
|   | 1500602186 | ROLLER TUBE D=30X0.8MM / 5200-3.00M | 53,90              |
|   | 1500602187 | ROLLER TUBE D=30X0.8MM / 5200-3.50M | 61,20              |
|   | 1500602188 | ROLLER TUBE D=30X0.8MM / 5200-4.00M | 68,60              |
|   | 1500602189 | ROLLER TUBE D=30X0.8MM / 5200-4.50M | 76,10              |
|   | 1500602991 | ROLLER TUBE D=30X0.8MM / 5200-5.00M | 83,70              |
| 2 | 1500602992 | MAIN HOUSING 5200 1.90M             | 115,10             |
|   | 1500602993 | MAIN HOUSING 5200 2.30M             | 136,50             |
|   | 1500602994 | MAIN HOUSING 5200 2.60M             | 151,80             |
|   | 1500602995 | MAIN HOUSING 5200 3.00M             | 175,10             |
|   | 1500602996 | MAIN HOUSING 5200 3.50M             | 205,10             |
|   | 1500602997 | MAIN HOUSING 5200 4.00M             | 235,70             |
|   | 1500602998 | MAIN HOUSING 5200 4.50M             | 265,20             |
|   | 1500602999 | MAIN HOUSING 5200 5.00M             | 294,80             |
|   | 1500603000 | MAIN HOUSING 5200 ANO 1.90M         | 115,10             |
|   | 1500603001 | MAIN HOUSING 5200 ANO 2.30M         | 136,50             |
|   | 1500603002 | MAIN HOUSING 5200 ANO 2.60M         | 151,80             |
|   | 1500603003 | MAIN HOUSING 5200 ANO 3.00M         | 175,10             |
|   | 1500603004 | MAIN HOUSING 5200 ANO 3.50M         | 205,10             |
|   | 1500603005 | MAIN HOUSING 5200 ANO 4.00M         | 235,70             |
|   | 1500603006 | MAIN HOUSING 5200 ANO 4.50M         | 265,20             |
|   | 1500603007 | MAIN HOUSING 5200 ANO 5.00M         | 294,80             |
|   | 1500603008 | MAIN HOUSING 5200 ANTHR. 2.60M      | 175,10             |
|   | 1500603009 | MAIN HOUSING 5200 ANTHR. 3.00M      | 175,10             |
|   | 1500603010 | MAIN HOUSING 5200 ANTHR. 3.50M      | 205,10             |
|   | 1500603011 | MAIN HOUSING 5200 ANTHR. 4.00M      | 235,70             |
|   | 1500603093 | MAIN HOUSING 5200 ANTHR. 4.50M      | 265,20             |
|   | 1500603468 | MAIN HOUSING 5200 ANTHR. 5.00M      | 294,80             |
| 3 | 1500602665 | SUPPORT ROLLER TUBE 5200 2M60       | 17,20              |
|   | 1500602284 | SUPPORT ROLLER TUBE 5200 3M00       | 18,00              |

# 2020 SPARE PARTS LIST



5200

5AT601

|   |            |                               |        |
|---|------------|-------------------------------|--------|
|   | 1500602285 | SUPPORT ROLLER TUBE 5200 3M50 | 19,80  |
|   | 1500602221 | SUPPORT ROLLER TUBE 5200 4M00 | 22,10  |
|   | 1500602222 | SUPPORT ROLLER TUBE 5200 4M50 | 23,70  |
|   | 1500603014 | SUPPORT ROLLER TUBE 5200 5M00 | 26,80  |
| 4 | 1500603015 | LEAD RAIL 5200 1.90M          | 105,30 |
|   | 1500603016 | LEAD RAIL 5200 2.30M          | 122,00 |
|   | 1500603017 | LEAD RAIL 5200 2.60M          | 122,00 |
|   | 1500603018 | LEAD RAIL 5200 3.00M          | 140,60 |
|   | 1500603019 | LEAD RAIL 5200 3.50M          | 164,30 |
|   | 1500603020 | LEAD RAIL 5200 4.00M          | 189,60 |
|   | 1500603021 | LEAD RAIL 5200 4.50M          | 206,70 |
|   | 1500603022 | LEAD RAIL 5200 5.00M          | 224,20 |
|   | 1500603023 | LEAD RAIL 5200 ANO 1.90M      | 105,30 |
|   | 1500603024 | LEAD RAIL 5200 ANO 2.30M      | 122,00 |
|   | 1500603025 | LEAD RAIL 5200 ANO 2.60M      | 122,00 |
|   | 1500603026 | LEAD RAIL 5200 ANO 3.00M      | 140,60 |
|   | 1500603027 | LEAD RAIL 5200 ANO 3.50M      | 164,30 |
|   | 1500603028 | LEAD RAIL 5200 ANO 4.00M      | 189,60 |
|   | 1500603029 | LEAD RAIL 5200 ANO 4.50M      | 206,70 |
|   | 1500603030 | LEAD RAIL 5200 ANO 5.00M      | 224,20 |
|   | 1500603031 | LEAD RAIL 5200 ANTHR. 2.60M   | 122,00 |
|   | 1500603032 | LEAD RAIL 5200 ANTHR. 3.00M   | 140,60 |
|   | 1500603033 | LEAD RAIL 5200 ANTHR. 3.50M   | 164,30 |
|   | 1500603034 | LEAD RAIL 5200 ANTHR. 4.00M   | 189,60 |
|   | 1500603094 | LEAD RAIL 5200 ANTHR. 4.50M   | 206,70 |
|   | 1500603469 | LEAD RAIL 5200 ANTHR. 5.00M   | 224,20 |
| 5 | 1500603035 | FABRIC 1.90M 5200 03 BL SK    | 131,60 |
|   | 1500603036 | FABRIC 1.90M 5200 04 AL GR    | 131,60 |
|   | 1500603037 | FABRIC 1.90M 5200 22 RAL 9002 | 131,60 |
|   | 1500603038 | FABRIC 1.90M 5200 31 MY GR    | 131,60 |
|   | 1500603039 | FABRIC 1.90M 5200 32 SA BL    | 131,60 |
|   | 1500603040 | FABRIC 2.30M 5200 03 BL SK    | 183,00 |
|   | 1500603041 | FABRIC 2.30M 5200 04 AL GR    | 183,00 |
|   | 1500603042 | FABRIC 2.30M 5200 22 RAL 9002 | 183,00 |
|   | 1500603043 | FABRIC 2.30M 5200 31 MY GR    | 183,00 |
|   | 1500603044 | FABRIC 2.30M 5200 32 SA BL    | 183,00 |
|   | 1500603045 | FABRIC 2.60M 5200 03 BL SK    | 206,10 |
|   | 1500603046 | FABRIC 2.60M 5200 04 AL GR    | 206,10 |
|   | 1500603047 | FABRIC 2.60M 5200 22 RAL9002  | 206,10 |
|   | 1500602663 | FABRIC 2.60M 5200 31 MY GR    | 206,10 |
|   | 1500602664 | FABRIC 2.60M 5200 32 SA BL    | 206,10 |
|   | 1500603048 | FABRIC 3.00M 5200 03 BL SK    | 229,30 |
|   | 1500603049 | FABRIC 3.00M 5200 04 AL GR    | 229,30 |
|   | 1500603050 | FABRIC 3.00M 5200 22 RAL9002  | 229,30 |
|   | 1500602202 | FABRIC 3.00M 5200 31 MY GR    | 229,30 |
|   | 1500602203 | FABRIC 3.00M 5200 32 SA BL    | 229,30 |
|   | 1500603051 | FABRIC 3.50M 5200 03 BL SK    | 254,80 |
|   | 1500603052 | FABRIC 3.50M 5200 04 AL GR    | 254,80 |
|   | 1500603053 | FABRIC 3.50M 5200 22 RAL9002  | 254,80 |
|   | 1500602204 | FABRIC 3.50M 5200 31 MY GR    | 254,80 |
|   | 1500602205 | FABRIC 3.50M 5200 32 SA BL    | 254,80 |
|   | 1500603054 | FABRIC 4.00M 5200 03 BL SK    | 280,50 |
|   | 1500603055 | FABRIC 4.00M 5200 04 AL GR    | 280,50 |
|   | 1500603056 | FABRIC 4.00M 5200 22 RAL 9002 | 280,50 |
|   | 1500602206 | FABRIC 4.00M 5200 31 MY GR    | 280,50 |
|   | 1500602207 | FABRIC 4.00M 5200 32 SA BL    | 280,50 |
|   | 1500603057 | FABRIC 4.50M 5200 03 BL SK    | 302,80 |
|   | 1500603058 | FABRIC 4.50M 5200 04 AL GR    | 302,80 |
|   | 1500603059 | FABRIC 4.50M 5200 22 RAL 9002 | 302,80 |
|   | 1500602208 | FABRIC 4.50M 5200 31 MY GR    | 302,80 |
|   | 1500602209 | FABRIC 4.50M 5200 32 SA BL    | 302,80 |
|   | 1500603060 | FABRIC 5.00M 5200 03 BL SK    | 324,80 |

# 2020 SPARE PARTS LIST

5200



5AT601

|    |            |  |                 |
|----|------------|--|-----------------|
|    | 1500603061 | FABRIC 5.00M 5200 04 AL GR               | 324,80          |
|    | 1500603062 | FABRIC 5.00M 5200 22 RAL 9002            | 324,80          |
|    | 1500603063 | FABRIC 5.00M 5200 31 MY GR               | 324,80          |
|    | 1500603064 | FABRIC 5.00M 5200 32 SA BL               | 324,80          |
| 6  | 1500602210 | HAND CRANK ASSY SHORT                    | 41,30           |
|    | 1500603195 | HAND CRANK ASSY SHORT 12V                | 49,90           |
| 7  | 1500601221 | GEAR ASSY+COUPL.FUNNEL                   | 44,70           |
| 8  | 1500603065 | LH+RH ENDCAP MAINHOUSING 5200            | 17,00           |
|    | 1500603066 | LH + RH ENDC MAINHOUS 5200 ANO           | 17,00           |
|    | 1500603067 | LH + RH ENDC MAINHOUS 5200 ANTHR.        | 17,00           |
| 9  | 1500603068 | LH+RH ENDCAP LEADRAIL 5200               | 12,30           |
|    | 1500603069 | LH+RH ENDCAP LEADRAIL 5200 ANO           | 12,30           |
|    | 1500603070 | LH+RH ENDCAP LEADRAIL 5200 ANTHR.        | 12,30           |
| 10 | 1500603071 | LH ENDPLATE ASSY 5200 WH                 | 33,90           |
|    | 1500603095 | LH ENDPLATE ASSY 5200 ANO                | 33,90           |
|    | 1500603097 | LH ENDPLATE ASSY 5200 ANTR               | 33,90           |
| 11 | 1500603072 | RH ENDPLATE ASSY 5200 WH                 | 12,90           |
|    | 1500603096 | RH ENDPLATE ASSY 5200 ANO                | 12,90           |
|    | 1500603098 | RH ENDPLATE ASSY 5200 ANTR               | 12,90           |
| 12 | 1500603073 | SPRING SUPPORT ROLLER TUBE 5200          | 7,00            |
| 13 | 1500602219 | LH + RH ENDCAP ROLLER TUBE 5200          | 11,50           |
| 14 | 1500603074 | LH CONN SUPPORT ARM 5200                 | 13,90           |
| 15 | 1500603075 | RH CONN SUPPORT ARM 5200                 | 13,90           |
| 16 | 1500603076 | INSERT LEAD RAIL 5200 2PC                | 7,40            |
| 17 | 1500602235 | LH + RH COVER SPRING ARM BR.             | 6,40            |
| 18 | 1500603077 | SUPPORT ARM 5200 1.90M                   | 71,70           |
|    | 1500603078 | SUPPORT ARM 5200 2.30M                   | 71,70           |
|    | 1500603079 | SUPPORT ARM 5200 2.60M XL                | 71,70           |
|    | 1500603080 | SUPPORT ARM 5200 3.00M                   | 65,10           |
|    | 1500603081 | SUPPORT ARM 5200 3.50-5.00M              | 71,70           |
| 19 | 1500603082 | L.H. SPRING ARM COMPL. 5200 - 1,90M      | 135,70          |
|    | 1500603083 | L.H. SPRING ARM COMPL. 5200 - 2,30M      | 144,30          |
|    | 1500603084 | L.H. SPRING ARM COMPL. 5200 - 2,60M      | 146,90          |
|    | 1500603085 | L.H. SPRING ARM COMPL. 5200 ≥3,00M       | 153,00          |
| 20 | 1500603086 | R.H. SPRING ARM COMPL. 5200 - 1,90M      | 135,70          |
|    | 1500603087 | R.H. SPRING ARM COMPL. 5200 - 2,30M      | 144,30          |
|    | 1500603088 | R.H. SPRING ARM COMPL. 5200 - 2,60M      | 146,90          |
|    | 1500603089 | R.H. SPRING ARM COMPL. 5200 ≥3,00M       | 153,00          |
| 21 | 1500603099 | POSIT. PIECE + TR HOLDER 5200            | 9,80            |
| 22 | 1500603090 | CENTRAL CLAMP SUPPORT ARM 5200           | 10,20           |
| 23 | 1500602327 | POSITIONER SPRING ARM - 2PC              | 7,40            |
| 24 | 1500603091 | CONN LEAD RAIL 5200 - 2PC                | 16,60           |
|    | 1500603344 | LH+RH STOP SPRING ARM 5200               | 26,60           |
| 25 | 1500602811 | ROTATION PLATE 5200 / 6200               | 20,70           |
| 26 | 1500603092 | CLIP SUPPORT ARM 5200 - 2PC              | 7,40            |
| 27 | 301295     | INTEGRATED TENSION ARMS 5200             | gen. price list |
| 28 | 1500603166 | NOISE REDUCTION 5200                     | 0,00            |
| 29 | 1500603188 | LH + RH END CAP TENSION ARMS 5200        | 4,10            |
| 30 | 1500603189 | LH + RH ENDCAP MAINHOUSING 5200 12V WH   | 19,00           |
|    | 1500603190 | LH + RH ENDC MAINHOUSING 5200 12V ANO    | 19,00           |
|    | 1500603191 | LH + RH ENDC MAINHOUSING 5200 12V ANTHR. | 19,00           |
| 31 | 301296     | 12V MOTOR ASSY 5200 WHITE                | gen. price list |
|    | 301297     | 12V MOTOR ASSY 5200 ANO                  | gen. price list |
|    | 301298     | 12V MOTOR ASSY 5200 ANTHR.               | gen. price list |
| 33 | 1500603196 | CRANK PIN 12V                            | 18,40           |
| 34 | 1500603197 | PANEL SET 5200 12V                       | 115,30          |
| 35 | 1500603198 | PLUG & GEAR COVER WHITE                  | 8,60            |
|    | 1500603199 | PLUG & GEAR COVER ANO                    | 8,60            |
|    | 1500603200 | PLUG & GEAR COVER ANTHR.                 | 8,60            |
| 36 | 1500603201 | SWITCH 12V MOTOR 5200                    | 37,70           |
| 37 | 1500601613 | FLAT ADAPTER SET 5200 1.90M-3.00M        | 32,60           |
|    | 1500601614 | FLAT ADAPTER SET 5200 3.50M              | 48,30           |

## 2020 SPARE PARTS LIST

5200

**THULE**  
SWEDEN

5AT601

|  |            |                                |       |
|--|------------|--------------------------------|-------|
|  | 1500601615 | FLAT ADAPTER SET 5200 4.00M    | 48,30 |
|  | 1500601616 | FLAT ADAPT SET 5200 4.50-5.00M | 60,00 |